

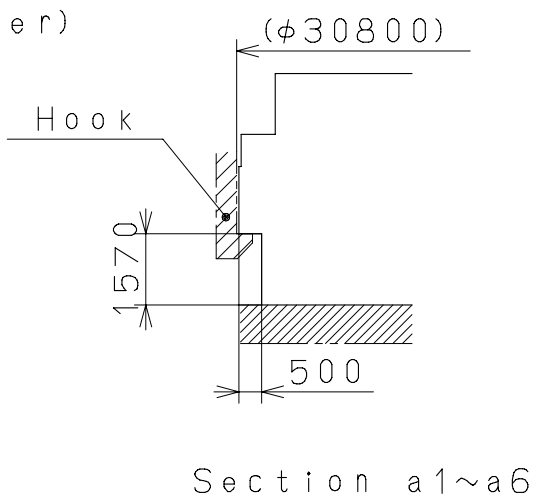
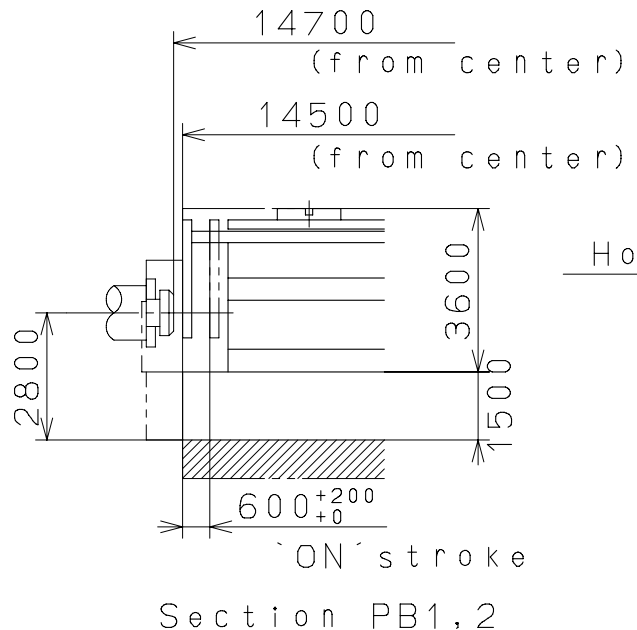
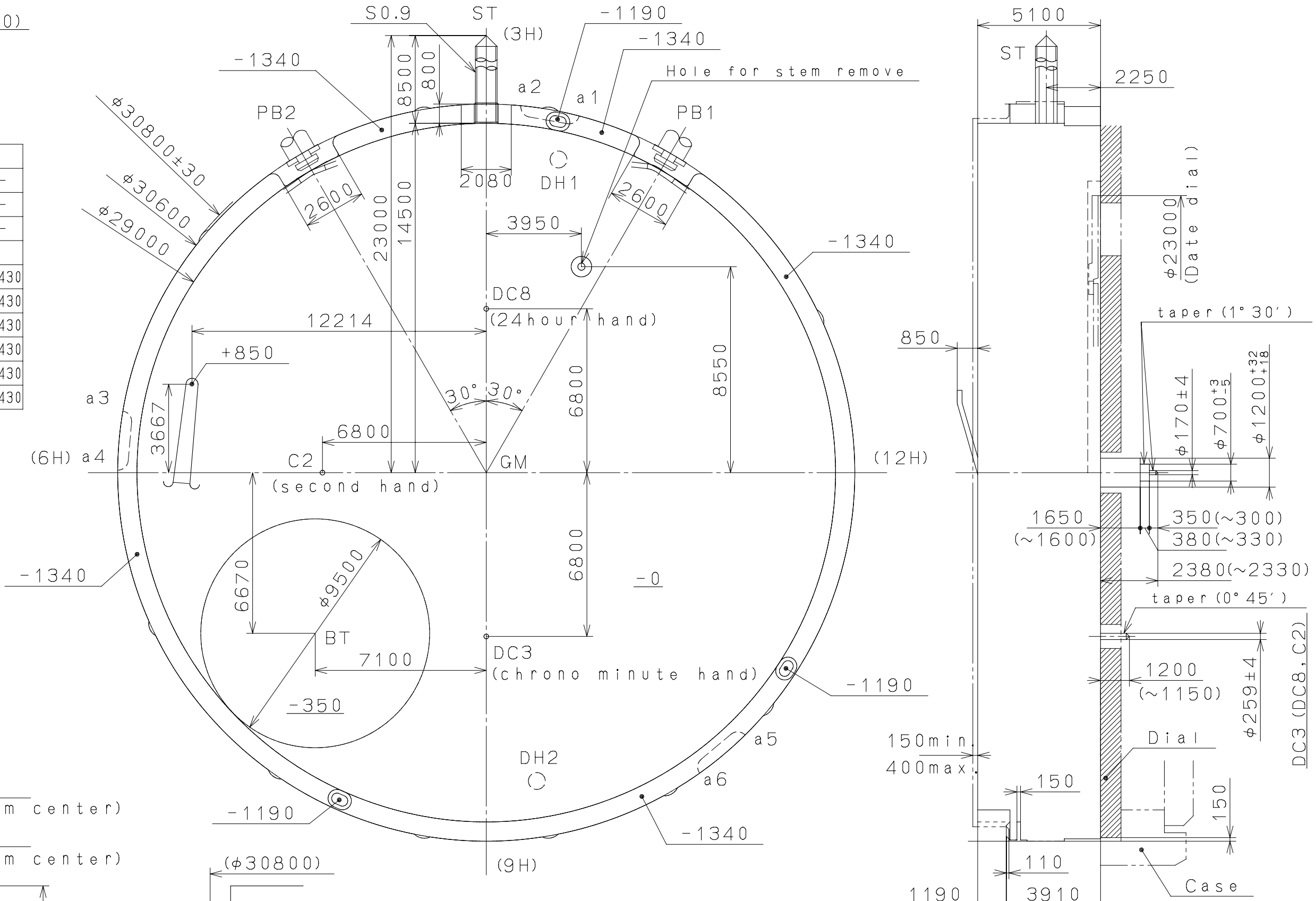
2008/02/04 (15:40:18)

This drawing is provisional and subject to our reconfirmation and/or revision without notice.

DH1~DH2=25816 (±20)

Coordinates

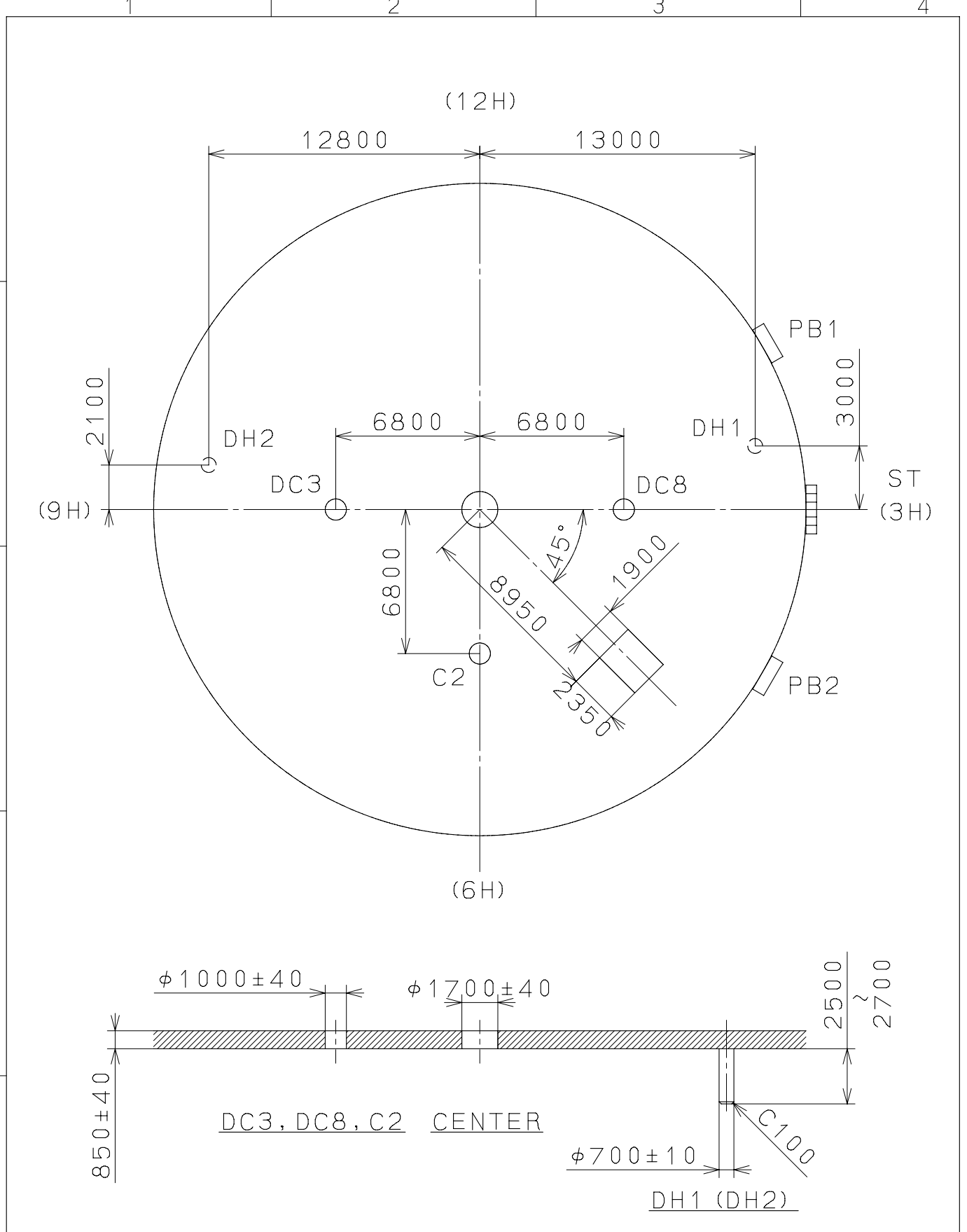
記号	X	Y	R
GM	0	0	—
DH1	3000	13000	—
DH2	2100	-12800	—
a1	3441	14908	430
a2	1865	15186	430
a3	-15151	2129	430
a4	-15291	535	430
a5	10434	-11190	430
a6	9208	-12219	430



△5		Quantity		Cal. NO.:	
△4		Unit	1/1000mm		OS2A
△3		Scale	6 : 1	Parts No.:	
△2		Date			
△1		Drawn			
Mark	Date	Description	Appr.	Checked	N. Suzuki
Alterations				Approved	Name:
				Frame for Case	
Material				Drawing No.: OS2AC000	
Heat Treatment				General Tolerances	
Hardness				Dimensions	
Plating				Angles	
<b>MIYOTA</b>					
CITIZEN WATCH CO., LTD. TOKYO, JAPAN					

2008/02/27 (07:58:41)

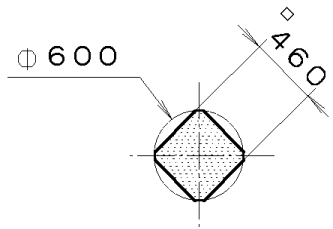
This drawing is provisional and subject to our reconfirmation and/or revision without notice.



△			Quantity		Cal.NO.:
△			Unit	1/1000 <sub>mm</sub>	OS2A-00A
△			Scale	4:1	Parts No.:
△			Date		
△			Drawn		
Mark	Date	Description	Appr.	Checked	Name:
		Alterations	Approved	N. Suzuki	Indications for Dial
Material					Drawing No.: OS2AD000
Heat Treatment			General Tolerances	<b>MIYOTA</b> CITIZEN WATCH CO., LTD. TOKYO, JAPAN	
Hardness			Dimensions		
Plating			Angles		

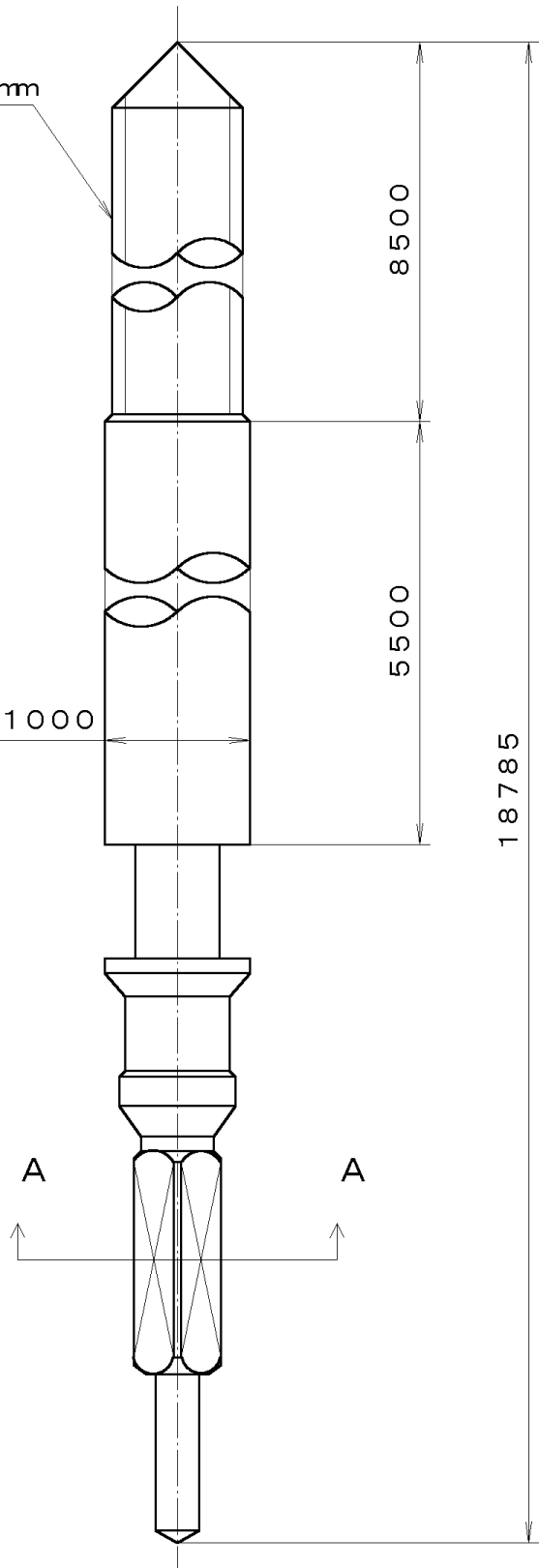
This drawing is provisional and subject to our reconfirmation and/or revision without notice.

\*\*\* T I P W (01) \*\*\* (2100 1121) 00-07-06



S.O. 9, P=0. 225mm

Φ 1000



7			Quantity		Cal. No. :
6			Unit	1/1000 mm	
5			Scale	20:1	Parts:
4			Date		065-453
3			Drawn		
2			Checked	T. Hiruta	Name:
1			Approved		SETTING STEM
Material					Drawing No. : 4530S000
Heat Treatment			General Tolerances		<b>CITIZEN</b> WATCH CO.,LTD. TOKYO, JAPAN
Hardness			Dimensions		
Plating			Angles		